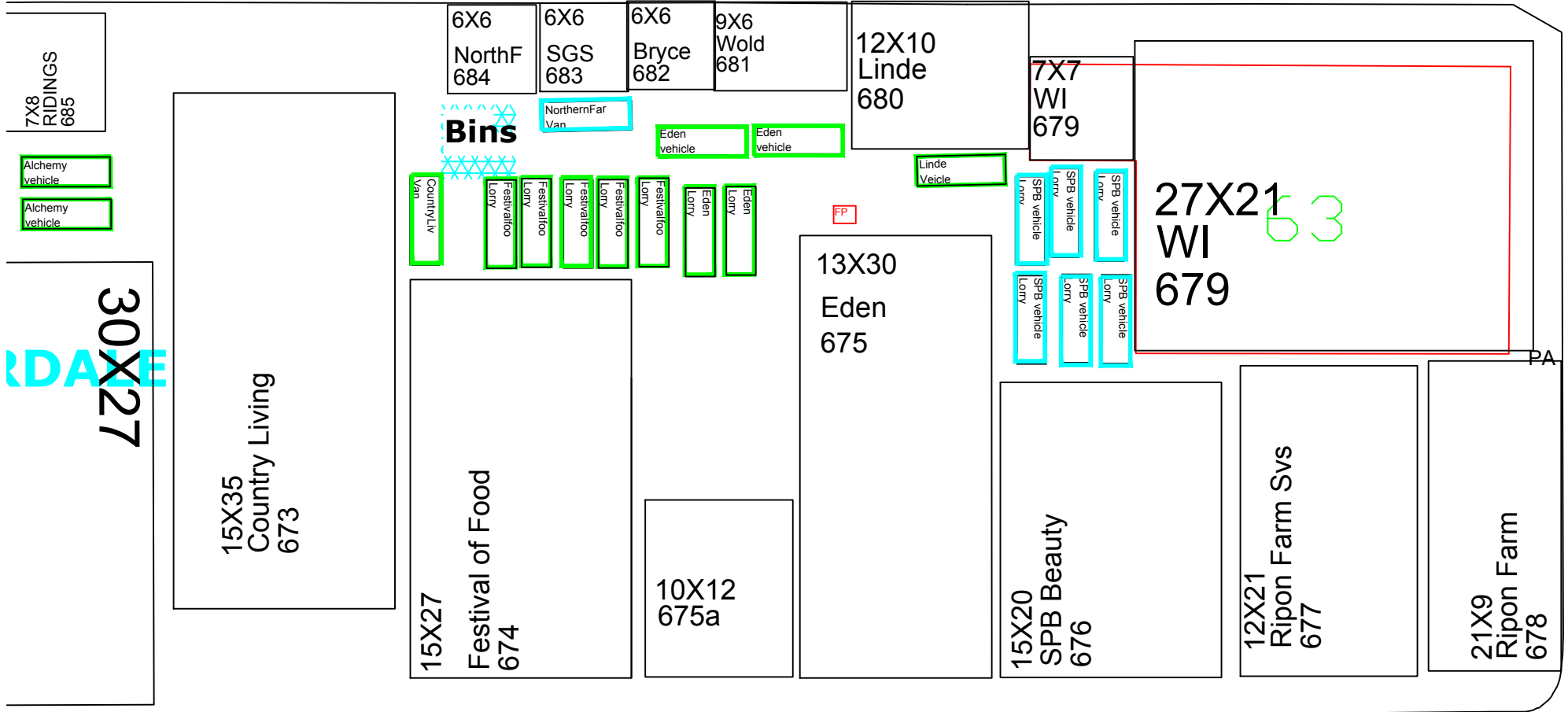


n

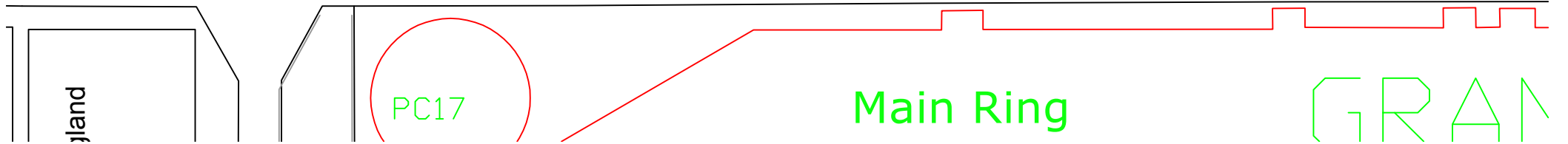
AVENUE F



30X27
KDALE

Avenue E

AVENUE



land

PC17

Main Ring

GRAN